

## Information

Technical execution and feasibility of suspensions from the hall ceiling

Dear exhibitor,  
dear stand designer,

Under the Odering and Delivery Conditions laid down by Messe Frankfurt Venue GmbH, the suspension of objects on the terms set out in the order forms is only possible in halls 1.1, 4, 5.0, 6, 9, 10.1, 10.2 and 10.3. In the halls 5.1 and 10.0 suspensions are not possible.

In Halls 1.2, 3.0, 3.1, 11.0, 11.1 and the Forum, suspensions may be allowed only after a specific enquiry.

Newly, there is the possibility to request heavy duty suspension points of a maximum point load of 1,0t in the hall 9.0.

Enquiries in this connection should be directed to the Exhibitor Service, Messe Frankfurt Venue GmbH. Suspensions in the relevant halls will be charged individually according to outlay and after testing for feasibility.

Please note that punctual execution of the assembly work can only be guaranteed, if the order for the suspension points has been submitted to Messe Frankfurt at the appropriate time and not later than six weeks before the event commences. With the order, a sketch must be submitted, taking account of the suspension possibilities.

The lowest point for a suspension is 2.30 m above the hall floor. Suspensions, which hang outside the stand area, can only be permitted with the express approval of the Messe Frankfurt Venue GmbH - Event Engineering. The maximum weight suspended is 50 kg. The transfer point is the open cable end.

Mounting of materials owned by the exhibitor, such as lighting systems or exhibits, may be carried out, subject to the current and recognised rules of engineering, and the appropriate regulations, such as DIN, VDE and UVV (in particular, BGV C1). Permitted load-secure devise can be found on page 2. The appropriate fastening material can be bought on site from the hall electrician. The use of cable clamps is not permissible.

Enquiries should be directed to:  
Team Suspensions - Telephone +49 69 75 75 68 99.

Messe Frankfurt Venue GmbH  
Exhibitor Service

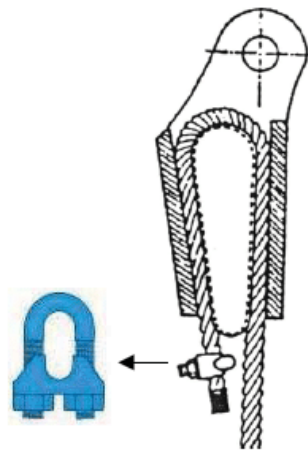
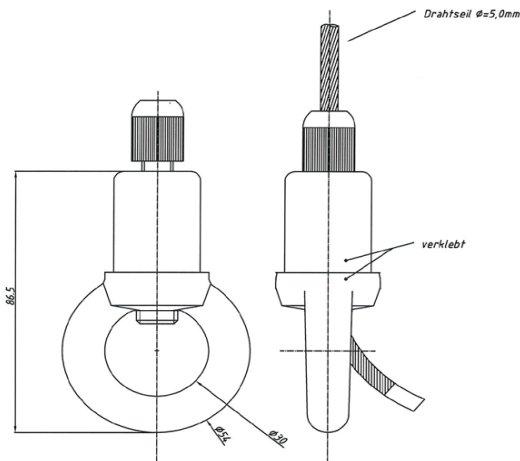
# Permitted fastening material

Only Reutlinger cable glider **Type 50 SV and Type 50SVII** with a certification of the Employer's Liability Insurance Association are permitted for light-load suspension for loads of up to 50 kg. A certification tag must be well visible.

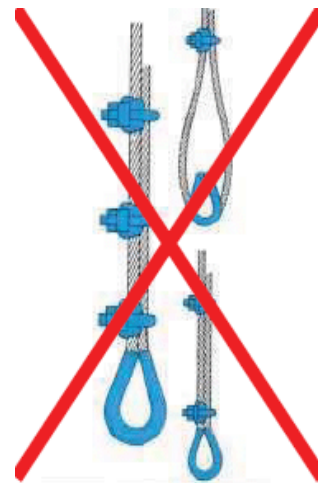
The instruction of installation of the cable glider manufacturer must be complied in its integrity.

For cable glider support (Version B1) are valid the DIN standard and the corresponding regulations of the german government safety organization (BGV).

<p><b>Version A</b></p>  <p><b>Cable glider Type 50SV M12 ring, big black zinc plated, with locking nut, glued.</b></p> <p><b>With german government safety organization (BG) certification!</b></p> <p>Diameter: 25mm Ring external diameter: 54mm Ring internal diameter: 30mm Total length: 87mm</p>	<p><b>Version B1</b></p>  <p><b>Cable glider Type 50SV II M12 ring, big black zinc plated, with locking nut.</b></p> <p><b>With german government safety organization (BG) certification!</b></p> <p>Diameter: 25mm Connection thread: M12 Thread length: 17mm Total length: 59mm</p>	<p><b>Version B2</b></p>  <p><b>Cable glider Type 50SV II M12 ring, big black zinc plated, with locking nut, glued.</b></p> <p><b>With german government safety organization (BG) certification!</b></p> <p>Diameter: 25mm Ring external diameter: 54mm Ring internal diameter: 30mm Total length: 87mm</p>
---	--	--



Securing the rope clamp



Inadmissible acc. DIN 1142

**Rope terminations:  
Wedge sockets according to  
DIN 43148 for 5mm steel ropes**

**Rope terminations:  
Wedge sockets according to  
DIN 15315 for 5mm steel ropes**

Seil- $\varnothing$ [mm]	a	b	d	h1	h2	w	Gewicht [kg]
4-5	23	12	12	67	108	16	0,36

Nenngröße	Seil- $\varnothing$ [mm]	b	e	s1	h2	d	r	h1	w	Gewicht [kg]
5	4-5	12	14	3	110	10	12	68	19	0,17

